

### Features

- Two-function pull-down sprayhead allows you to switch from aerated stream to powerful ring spray
- KOHLER® ceramic disc valves exceed industry longevity standards for a lifetime of durable performance
- High-arch gooseneck spout and 360° spout rotation offer superior clearance for filling pots and cleaning
- Temperature memory allows faucet to be turned on and off at the temperature set during prior usage
- 1.5 gpm (5.7 lpm) maximum flow rate at 60 psi (4.14 bar)

### Material

- Premium metal construction for durability and reliability
- KOHLER® finishes resist corrosion and tarnishing

### Installation

- Single- or three-hole installation (escutcheon included)
- Flexible supply lines simplify installation

### Recommended Products/Accessories

K-23723 Faucet cleaner



ADA

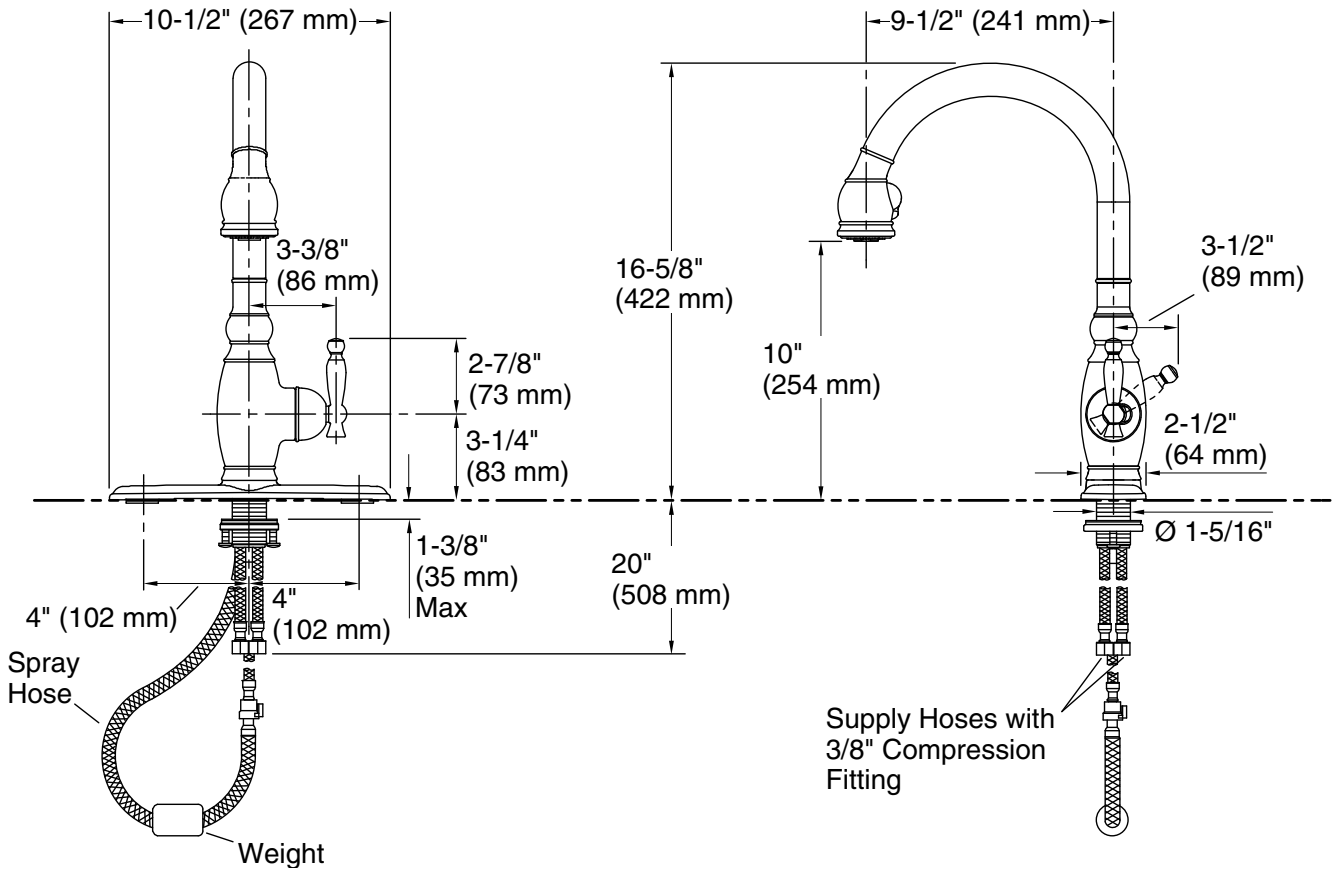
CSA B651

### Codes/Standards

ASME A112.18.1/CSA B125.1  
NSF/ANSI/CAN 61  
NSF/ANSI/CAN 372  
DOE - Energy Policy Act 1992  
California Energy Commission (CEC)  
ADA  
ICC/ANSI A117.1  
CSA B651  
IAPMO Certification

### KOHLER® Faucet Lifetime Limited Warranty

See website for detailed warranty information.



## Technical Information

All product dimensions are nominal.

## Notes

Install this product according to the installation guide.

ADA complaint for faucet handles only.

ADA, CSA B651 compliant when installed to the specific requirements of these regulations.