

## Features

- Metal construction
- One-piece, self-contained ceramic disc valve allows both volume and temperature control.
- High-temperature limit stop
- 8-1/2" (216 mm) swing spout reach
- Flexible supplies
- Matching finish side sprayer
- Lever handle
- 1.5 gpm (5.7 lpm) maximum flow rate at 60 psi (4.14 bar)
- Project pack: Supplied six per case

## Recommended Products/Accessories

K-23723 Faucet cleaner



ADA

CSA B651

## Codes/Standards

ASME A112.18.1/CSA B125.1

NSF/ANSI/CAN 61

NSF/ANSI/CAN 372

All applicable US Federal and State material regulations

DOE - Energy Policy Act 1992

California Energy Commission (CEC)

ADA

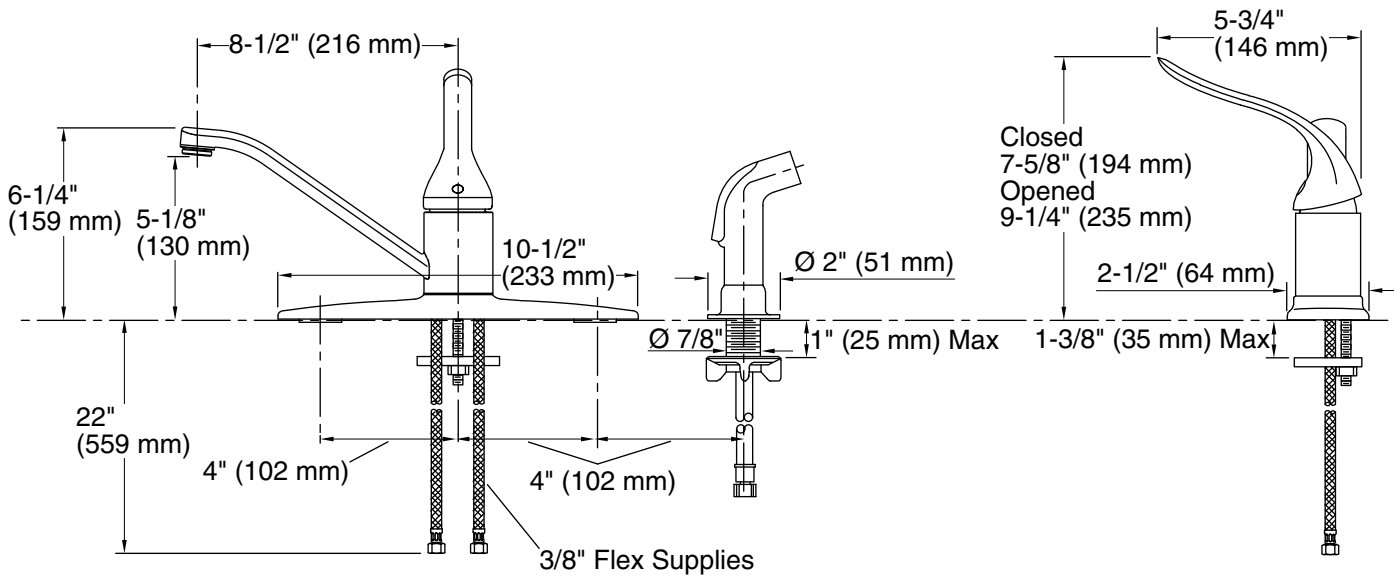
ICC/ANSI A117.1

CSA B651

IAPMO Certification

## KOHLER® Faucet Lifetime Limited Warranty

See website for detailed warranty information.



### Technical Information

All product dimensions are nominal.

#### Spout:

Spout reach: 8-1/2" (216 mm)

### Notes

Install this product according to the installation guide.

ADA complaint for faucet handles only.

ADA, CSA B651 compliant when installed to the specific requirements of these regulations.